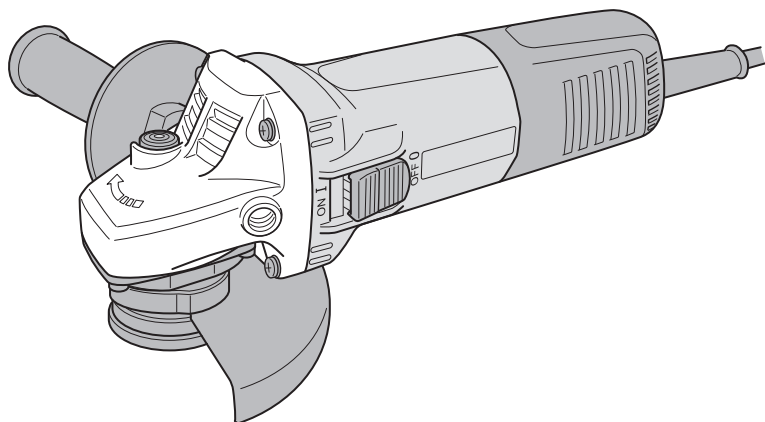


## G 10SR4 • G 12SR4 • G 13SR4



(en) Handling instructions

(es) Instrucciones de manejo

(pt) Instruções de uso



## GENERAL POWER TOOL SAFETY WARNINGS

### WARNING

Read all safety warnings and all instructions.

Failure to follow the warnings and instructions may result in electric shock, fire and/or serious injury.

Save all warnings and instructions for future reference.

The term "power tool" in the warnings refers to your mains-operated (corded) power tool or battery-operated (cordless) power tool.

#### 1) Work area safety

- a) **Keep work area clean and well lit.**  
*Cluttered or dark areas invite accidents.*
- b) **Do not operate power tools in explosive atmospheres, such as in the presence of flammable liquids, gases or dust.**  
*Power tools create sparks which may ignite the dust or fumes.*
- c) **Keep children and bystanders away while operating a power tool.**  
*Distractions can cause you to lose control.*

#### 2) Electrical safety

- a) **Power tool plugs must match the outlet. Never modify the plug in any way. Do not use any adapter plugs with earthed (grounded) power tools.**  
*Unmodified plugs and matching outlets will reduce risk of electric shock.*
- b) **Avoid body contact with earthed or grounded surfaces, such as pipes, radiators, ranges and refrigerators.**  
*There is an increased risk of electric shock if your body is earthed or grounded.*
- c) **Do not expose power tools to rain or wet conditions.**  
*Water entering a power tool will increase the risk of electric shock.*
- d) **Do not abuse the cord. Never use the cord for carrying, pulling or unplugging the power tool. Keep cord away from heat, oil, sharp edges or moving parts.**  
*Damaged or entangled cords increase the risk of electric shock.*
- e) **When operating a power tool outdoors, use an extension cord suitable for outdoor use.**  
*Use of a cord suitable for outdoor use reduces the risk of electric shock.*
- f) **If operating a power tool in a damp location is unavoidable, use a residual current device (RCD) protected supply.**  
*Use of an RCD reduces the risk of electric shock.*

#### 3) Personal safety

- a) **Stay alert, watch what you are doing and use common sense when operating a power tool. Do not use a power tool while you are tired or under the influence of drugs, alcohol or medication.**  
*A moment of inattention while operating power tools may result in serious personal injury.*
- b) **Use personal protective equipment. Always wear eye protection.**  
*Protective equipment such as dust mask, non-skid safety shoes, hard hat, or hearing protection used for appropriate conditions will reduce personal injuries.*
- c) **Prevent unintentional starting. Ensure the switch is in the off position before connecting to power source and/or battery pack, picking up or carrying the tool.**

*Carrying power tools with your finger on the switch or energising power tools that have the switch on invites accidents.*

- d) **Remove any adjusting key or wrench before turning the power tool on.**  
*A wrench or a key left attached to a rotating part of the power tool may result in personal injury.*
  - e) **Do not overreach. Keep proper footing and balance at all times.**  
*This enables better control of the power tool in unexpected situations.*
  - f) **Dress properly. Do not wear loose clothing or jewellery. Keep your hair, clothing and gloves away from moving parts.**  
*Loose clothes, jewellery or long hair can be caught in moving parts.*
  - g) **If devices are provided for the connection of dust extraction and collection facilities, ensure these are connected and properly used.**  
*Use of dust collection can reduce dust-related hazards.*
- #### 4) Power tool use and care
- a) **Do not force the power tool. Use the correct power tool for your application.**  
*The correct power tool will do the job better and safer at the rate for which it was designed.*
  - b) **Do not use the power tool if the switch does not turn it on and off.**  
*Any power tool that cannot be controlled with the switch is dangerous and must be repaired.*
  - c) **Disconnect the plug from the power source and/or the battery pack from the power tool before making any adjustments, changing accessories, or storing power tools.**  
*Such preventive safety measures reduce the risk of starting the power tool accidentally.*
  - d) **Store idle power tools out of the reach of children and do not allow persons unfamiliar with the power tool or these instructions to operate the power tool.**  
*Power tools are dangerous in the hands of untrained users.*
  - e) **Maintain power tools. Check for misalignment or binding of moving parts, breakage of parts and any other condition that may affect the power tool's operation. If damaged, have the power tool repaired before use.**  
*Many accidents are caused by poorly maintained power tools.*
  - f) **Keep cutting tools sharp and clean.**  
*Properly maintained cutting tools with sharp cutting edges are less likely to bind and are easier to control.*
  - g) **Use the power tool, accessories and tool bits etc. in accordance with these instructions, taking into account the working conditions and the work to be performed.**  
*Use of the power tool for operations different from those intended could result in a hazardous situation.*
- #### 5) Service
- a) **Have your power tool serviced by a qualified repair person using only identical replacement parts.**  
*This will ensure that the safety of the power tool is maintained.*

#### PRECAUTION

**Keep children and infirm persons away.**

**When not in use, tools should be stored out of reach of children and infirm persons.**

## SAFETY WARNINGS COMMON FOR GRINDING OR ABRASIVE CUTTING-OFF OPERATIONS

- a) This power tool is intended to function as a grinder or cut-off tool. Read all safety warnings, instructions, illustrations and specifications provided with this power tool.  
*Failure to follow all instructions listed below may result in electric shock, fire and/or serious injury.*
- b) Operations such as sanding, wire brushing or polishing are not recommended to be performed with this power tool.  
*Operations for which the power tool was not designed may create a hazard and cause personal injury.*
- c) Do not use accessories which are not specifically designed and recommended by the tool manufacturer. Just because the accessory can be attached to your power tool, it does not assure safe operation.
- d) The rated speed of the accessory must be at least equal to the maximum speed marked on the power tool.  
*Accessories running faster than their rated speed can break and fly apart.*
- e) The outside diameter and the thickness of your accessory must be within the capacity rating of your power tool.  
*Incorrectly sized accessories cannot be adequately guarded or controlled.*
- f) Threaded mounting of accessories must match the grinder spindle thread. For accessories mounted by flanges, the arbour hole of the accessory must fit the locating diameter of the flange.  
*Accessories that do not match the mounting hardware of the power tool will run out of balance, vibrate excessively and may cause loss of control.*
- g) Do not use a damaged accessory. Before each use inspect the accessory such as abrasive wheels for chips and cracks, backing pad for cracks, tear or excess wear, wire brush for loose or cracked wires. If power tool or accessory is dropped, inspect for damage or install an undamaged accessory. After inspecting and installing an accessory, position yourself and bystanders away from the plane of the rotating accessory and run the power tool at maximum no-load speed for one minute.  
*Damaged accessories will normally break apart during this test time.*
- h) Wear personal protective equipment. Depending on application, use face shield, safety goggles or safety glasses. As appropriate, wear dust mask, hearing protectors, gloves and workshop apron capable of stopping small abrasive or workpiece fragments.  
*The eye protection must be capable of stopping flying debris generated by various operations. The dust mask or respirator must be capable of filtrating particles generated by your operation. Prolonged exposure to high intensity noise may cause hearing loss.*
- i) Keep bystanders a safe distance away from work area. Anyone entering the work area must wear personal protective equipment.  
*Fragments of workpiece or of a broken accessory may fly away and cause injury beyond immediate area of operation.*
- j) Hold the power tool by insulated gripping surfaces only, when performing an operation where the cutting accessory may contact hidden wiring or its own cord. Cutting accessory contacting a "live" wire may make exposed metal parts of the power tool "live" and could give the operator an electric shock.
- k) Position the cord clear of the spinning accessory. If you lose control, the cord may be cut or snagged and your hand or arm may be pulled into the spinning accessory.

- l) Never lay the power tool down until the accessory has come to a complete stop.  
*The spinning accessory may grab the surface and pull the power tool out of your control.*
- m) Do not run the power tool while carrying it at your side. Accidental contact with the spinning accessory could snag your clothing, pulling the accessory into your body.
- n) Regularly clean the power tool's air vents.  
*The motor's fan will draw the dust inside the housing and excessive accumulation of powdered metal may cause electrical hazards.*
- o) Do not operate the power tool near flammable materials. Sparks could ignite these materials.
- p) Do not use accessories that require liquid coolants. Using water or other liquid coolants may result in electrocution or shock.

## KICKBACK AND RELATED WARNINGS

Kickback is a sudden reaction to a pinched or snagged rotating wheel, backing pad, brush or any other accessory. Pinching or snagging causes rapid stalling of the rotating accessory which in turn causes the uncontrolled power tool to be forced in the direction opposite of the accessory's rotation at the point of the binding.

For example, if an abrasive wheel is snagged or pinched by the workpiece, the edge of the wheel that is entering into the pinch point can dig into the surface of the material causing the wheel to climb out or kick out. The wheel may either jump toward or away from the operator, depending on direction of the wheel's movement at the point of pinching.

Abrasive wheels may also break under these conditions.

Kickback is the result of power tool misuse and/or incorrect operating procedures or conditions and can be avoided by taking proper precautions as given below.

- a) Maintain a firm grip on the power tool and position your body and arm to allow you to resist kickback forces. Always use auxiliary handle, if provided, for maximum control over kickback or torque reaction during start-up. The operator can control torque reactions or kickback forces, if proper precautions are taken.
- b) Never place your hand near the rotating accessory. Accessory may kickback over your hand.
- c) Do not position your body in the area where power tool will move if kickback occurs.  
*Kickback will propel the tool in direction opposite to the wheel's movement at the point of snagging.*
- d) Use special care when working corners, sharp edges etc. Avoid bouncing and snagging the accessory. Corners, sharp edges or bouncing have a tendency to snag the rotating accessory and cause loss of control or kickback.
- e) Do not attach a saw chain woodcarving blade or toothed saw blade.  
*Such blades create frequent kickback and loss of control.*

## SAFETY WARNINGS SPECIFIC FOR GRINDING AND ABRASIVE CUTTING-OFF OPERATIONS

- a) Use only wheel types that are recommended for your power tool and the specific guard designed for the selected wheel.  
*Wheels for which the power tool was not designed cannot be adequately guarded and are unsafe.*
- b) The grinding surface of centre depressed wheels must be mounted below the plane of the guard lip. An improperly mounted wheel that projects through the plane of the guard lip cannot be adequately protected.

# English

- c) **The guard must be securely attached to the power tool and positioned for maximum safety, so the least amount of wheel is exposed towards the operator.**  
*The guard helps to protect the operator from broken wheel fragments, accidental contact with wheel and sparks that could ignite clothing.*
  - d) **Wheels must be used only for recommended applications. For example: do not grind with the side of cut-off wheel.**  
*Abrasive cut-off wheels are intended for peripheral grinding, side forces applied to these wheels may cause them to shatter.*
  - e) **Always use undamaged wheel flanges that are of correct size and shape for your selected wheel.**  
*Proper wheel flanges support the wheel thus reducing the possibility of wheel breakage. Flanges for cut-off wheels may be different from grinding wheel flanges.*
  - f) **Do not use worn down wheels from larger power tools.**  
*Wheel intended for larger power tool is not suitable for the higher speed of a smaller tool and may burst.*
- Inspect the grinding wheel before use, do not use chipped, cracked or otherwise defective products;
  - Ensure that mounted wheels and points are fitted in accordance with the manufacturer's instructions;
  - Ensure that blotters are used when they are provided with the bonded abrasive product and when they are required;
  - Ensure that the abrasive product is correctly mounted and tightened before use and run the tool at no-load for 30 seconds in a safe position, stop immediately if there is considerable vibration or if other defects are detected. If this condition occurs, check the machine to determine the cause;
  - If a guard is equipped with the tool never use the tool without such a guard;
  - When using a abrasive cutting wheel, be sure to remove the standard accessory wheel guard and attach the wheel guard with side guard (sold separately) (Fig. 4);
  - Do not use separate reducing bushings or adapters to adapt large hole abrasive wheels;
  - For tools intended to be fitted with threaded hole wheel, ensure that the thread in the wheel is long enough to accept the spindle length;
  - Check that the work piece is properly supported;
  - Do not use cutting off wheel for side grinding;
  - Ensure that sparks resulting from use do not create a hazard e.g. do not hit persons, or ignite flammable substances;
  - Ensure that ventilation openings are kept clear when working in dusty conditions, if it should become necessary to clear dust, first disconnect the tool from the mains supply (use non metallic objects) and avoid damaging internal parts;
  - Always use eye and ear protection. Other personal protective equipment such as dust mask, gloves, helmet and apron should be worn;
  - Pay attention to the wheel that continues to rotate after the tool is switched off.

## ADDITIONAL SAFETY WARNINGS SPECIFIC FOR ABRASIVE CUTTING- OFF OPERATIONS

- a) **Do not "jam" the cut-off wheel or apply excessive pressure. Do not attempt to make an excessive depth of cut.**  
*Overstressing the wheel increases the loading and susceptibility to twisting or binding of the wheel in the cut and the possibility of kickback or wheel breakage.*
  - b) **Do not position your body in line with and behind the rotating wheel.**  
*When the wheel, at the point of operation, is moving away from your body, the possible kickback may propel the spinning wheel and the power tool directly at you.*
  - c) **When wheel is binding or when interrupting a cut for any reason, switch off the power tool and hold the power tool motionless until the wheel comes to a complete stop. Never attempt to remove the cut-off wheel from the cut while the wheel is in motion otherwise kickback may occur.**  
*Investigate and take corrective action to eliminate the cause of wheel binding.*
  - d) **Do not restart the cutting operation in the workpiece. Let the wheel reach full speed and carefully re-enter the cut.**  
*The wheel may bind, walk up or kickback if the power tool is restarted in the workpiece.*
  - e) **Support panels or any oversized workpiece to minimize the risk of wheel pinching and kickback.**  
*Large workpieces tend to sag under their own weight. Supports must be placed under the workpiece near the line of cut and near the edge of the workpiece on both sides of the wheel.*
  - f) **Use extra caution when making a "pocket cut" into existing walls or other blind areas.**  
*The protruding wheel may cut gas or water pipes, electrical wiring or objects that can cause kickback.*
- Ensure that ventilation openings are kept clear when working in dusty conditions, if it should become necessary to clear dust, first disconnect the tool from the mains supply (use non metallic objects) and avoid damaging internal parts;
  - Always use eye and ear protection. Other personal protective equipment such as dust mask, gloves, helmet and apron should be worn;
  - Pay attention to the wheel that continues to rotate after the tool is switched off.

## ADDITIONAL SAFETY WARNINGS

1. Ensure that the power source to be utilized conforms to the power requirements specified on the product nameplate.
2. Ensure that the power switch is in the OFF position. If the plug is connected to a receptacle while the power switch is in the ON position, the power tool will start operating immediately, which could cause a serious accident.
3. When the work area is removed from the power source, use an extension cord of sufficient thickness and rated capacity. The extension cord should be kept as short as practicable.
4. Ensure that the depressed center wheel to be utilized is the correct type and free of cracks or surface defects. Also ensure that the depressed center wheel is properly mounted and the wheel nut is securely tightened.
5. Confirm that the push button is disengaged by pushing push button two or three times before switching the power tool on.
6. To prolong the life of the machine and ensure a first class finish, it is important that the machine should not be overloaded by applying too much pressure. In most applications, the weight of the machine alone is sufficient for effective grinding. Too much pressure will result in reduced rotational speed, inferior surface finish, and overloading which could reduce the life of the machine.
7. The wheel continues to rotate after the tool is switched off.  
After switching off the machine, do not put it down until the depressed center wheel has come to a complete stop. Apart from avoiding serious accidents, this precaution will reduce the amount of dust and swarf sucked into the machine.

## GENERAL SAFETY INSTRUCTIONS FOR GRINDERS

- Check that speed marked on the wheel is equal to or greater than the rated speed of the grinder;
- Ensure that the wheel dimensions are compatible with the grinder;
- Abrasive wheels shall be stored and handled with care in accordance with manufacturer's instructions;

8. When the machine is not use, the power source should be disconnected.
9. Be sure to switch OFF and disconnect the attachment plug from the receptacle to avoid a serious accident before the depressed center wheel is assembling and disassembling.
10. RCD  
The use of a residual current device with a rated residual current of 30 mA or less at all times is recommended.

## SPECIFICATIONS

The specifications of this machine are listed in the Table on page 17.











### NOTE

Due to HiKOKI's continuing program of research and development, the specifications herein are subject to change without prior notice.

## SYMBOLS

### WARNING

The following show symbols used for the machine. Be sure that you understand their meaning before use.

	G10SR4 / G12SR4 / G13SR4: Disc Grinder
	To reduce the risk of injury, user must read instruction manual.
	Always wear eye protection.
V	Rated voltage
~	Alternating current
P	Power input
n	Rated speed
min <sup>-1</sup> /min	Revolution or reciprocations per minute
D	Wheel outer diameter
d	Wheel hole diameter
t	Wheel thickness
	Peripheral speed
	Weight (Only main body)
	Switching ON
	Switching OFF
	Disconnect mains plug from electrical outlet
	Warning
	Class II tool

## MOUNTING AND OPERATION

Action	Figure	Page
Fitting and adjusting the wheel guard	1	18
Fixing the side handle	2	18
Assembling depressed center wheel	3	19
Assembling cutting wheel	4	19
Assembling diamond wheel	5	19
Switch operation	6	19
Grinding angle and grinding method	7	20
Selecting accessories	—	21

## MAINTENANCE AND INSPECTION

### 1. Inspecting the depressed center wheel

Ensure that the depressed center wheel is free of cracks and surface defects.

### 2. Inspecting the mounting screws

Regularly inspect all mounting screws and ensure that they are properly tightened. Should any of the screws be loose, retighten them immediately. Failure to do so could result in serious hazard.

### 3. Inspecting the carbon brushes

For your continued safety and electrical shock protection, carbon brush inspection and replacement on this tool should ONLY be performed by a HiKOKI AUTHORIZED SERVICE CENTER.

### 4. Replacing supply cord

If the replacement of the supply cord is necessary, it has to be done by HiKOKI Authorized Service Center to avoid a safety hazard.

### 5. Maintenance of the motor

#### WARNING

Always wear protective goggles and dust respirators when blowing air from the tail cover air hole with the use of an air gun, etc.

Failure to observe this may result in ejected dust being inhaled or entering your eyes.

The motor unit winding is the very "heart" of the power tool. Exercise due care to ensure the winding does not become damaged and/or wet with oil or water.

#### NOTE

When work has been finished, blow air containing no moisture from the tail cover air hole with the use of an air gun, etc., while running the motor without any load applied. This is effective in removing any dirt and dust that has accumulated. Dirt and dust collecting inside the motor may result in malfunctions.

#### CAUTION

In the operation and maintenance of power tools, the safety regulations and standards prescribed in each country must be observed.

## STANDARD ACCESSORIES

In addition to the main unit (1 unit), the package contains the accessories listed in the below.

- (1) Wrench .....1
- (2) Side handle .....1

Standard accessories are subject to change without notice.

## APPLICATIONS

- Removal of casting fin and finishing of various types of steel, bronze and aluminum materials and castings.
- Grinding of welded sections or sections cut by means of a cutting torch.
- Cutting of synthetic concrete, stone, brick, marble, and similar materials.

# English

---

## **NOTE**

Due to HiKOKI's continuing program of research and development, the specifications herein are subject to change without prior notice.

---

## ADVERTENCIAS DE SEGURIDAD GENERAL DE LA HERRAMIENTA ELÉCTRICA

### ⚠ ADVERTENCIA

Lea todas las instrucciones y advertencias de seguridad.

*Si no se siguen las advertencias e instrucciones, podría producirse una descarga eléctrica, un incendio o daños graves.*

**Guarde todas las advertencias e instrucciones para futura referencia.**

*El término "herramienta eléctrica" en las advertencias hace referencia a la herramienta eléctrica que funciona con la red de suministro (con cable) o a la herramienta eléctrica que funciona con pilas (sin cable).*

#### 1) Seguridad del área de trabajo

- Mantenga la zona de trabajo limpia y bien iluminada.**  
*Las zonas desordenadas u oscuras pueden provocar accidentes.*
- No utilice las herramientas eléctricas en entornos explosivos como, por ejemplo, en presencia de líquidos inflamables, gases o polvo.**  
*Las herramientas eléctricas crean chispas que pueden inflamar el polvo o los gases.*
- Mantenga a los niños y transeúntes alejados cuando utilice una herramienta eléctrica.**  
*Las distracciones pueden hacer que pierda el control.*

#### 2) Seguridad eléctrica

- Los enchufes de las herramientas eléctricas tienen que ser adecuados a la toma de corriente. No modifique el enchufe.**  
**No utilice enchufes adaptadores con herramientas eléctricas conectadas a tierra.**  
*Si no se modifican los enchufes y se utilizan tomas de corriente adecuadas se reducirá el riesgo de descarga eléctrica.*
- Evite el contacto corporal con superficies conectadas a tierra como tuberías, radiadores y frigoríficos.**  
*Hay mayor riesgo de descarga eléctrica si su cuerpo está en contacto con el suelo.*
- No exponga las herramientas eléctricas a la lluvia o a la humedad.**  
*La entrada de agua en una herramienta eléctrica aumentará el riesgo de descarga eléctrica.*
- No utilice el cable incorrectamente. No utilice el cable para transportar, tirar de la herramienta eléctrica o desenchufarla.**  
**Mantenga el cable alejado del calor, del aceite, de bordes afilados o piezas móviles.**  
*Los cables dañados o enredados aumentan el riesgo de descarga eléctrica.*
- Cuando utilice una herramienta eléctrica al aire libre, utilice un cable prolongador adecuado para utilizarse al aire libre.**  
*La utilización de un cable adecuado para usarse al aire libre reduce el riesgo de descarga eléctrica.*
- Si no se puede evitar el uso de una herramienta eléctrica en un lugar húmedo, utilice un suministro protegido mediante un dispositivo de corriente residual (RCD).**  
*El uso de un RCD reduce el riesgo de descarga eléctrica.*

#### 3) Seguridad personal

- Esté atento, preste atención a lo que hace y utilice el sentido común cuando utilice una herramienta eléctrica.**  
**No utilice una herramienta eléctrica cuando esté cansado o esté bajo la influencia de drogas, alcohol o medicación.**  
*La distracción momentánea cuando utiliza herramientas eléctricas puede dar lugar a lesiones personales graves.*
- Utilice un equipo de protección. Utilice siempre una protección ocular.**  
*El equipo de protección como máscara para el polvo, zapatos de seguridad antideslizantes, casco o protección auditiva utilizado en las situaciones adecuadas reducirá las lesiones personales.*
- Evite un inicio involuntario. Asegúrese de que el interruptor está en "off" antes de conectar la herramienta a una fuente de alimentación o batería, cogerla o transportarla.**  
*El transporte de herramientas eléctricas con el dedo en el interruptor o el encendido de herramientas eléctricas con el interruptor encendido puede provocar accidentes.*
- Retire las llaves de ajuste antes de encender la herramienta eléctrica.**  
*Si se deja una llave en una pieza giratoria de la herramienta eléctrica podrían producirse lesiones personales.*
- No se extralimite. Mantenga un equilibrio adecuado en todo momento.**  
*Esto permite un mayor control de la herramienta eléctrica en situaciones inesperadas.*
- Vístase adecuadamente. No lleve prendas sueltas o joyas. Mantenga el pelo, la ropa y los guantes alejados de las piezas móviles.**  
*La ropa suelta, las joyas y el pelo largo pueden quedar atrapados en las piezas móviles.*
- Si se proporcionan dispositivos para la conexión de extracción de polvo e instalaciones de recogida, asegúrese de que están conectados y se utilizan adecuadamente.**  
*La utilización de un sistema de recogida de polvo puede reducir los riesgos relacionados con el polvo.*

#### 4) Utilización y mantenimiento de las herramientas eléctricas

- No fuerce la herramienta eléctrica. Utilice la herramienta eléctrica correcta para su aplicación.**  
*La herramienta eléctrica correcta trabajará mejor y de forma más segura si se utiliza a la velocidad para la que fue diseñada.*
- No utilice la herramienta eléctrica si el interruptor no la enciende y apaga.**  
*Las herramientas eléctricas que no pueden controlarse con el interruptor son peligrosas y deben repararse.*
- Desconecte el enchufe de la fuente eléctrica o la batería de la herramienta eléctrica antes de hacer ajustes, cambiar accesorios o almacenar herramientas eléctricas.**  
*Estas medidas de seguridad preventivas reducen el riesgo de que la herramienta eléctrica se ponga en marcha accidentalmente.*
- Guarde las herramientas eléctricas que no se utilicen fuera del alcance de los niños, y no permita que utilicen las herramientas eléctricas personas no familiarizadas con las mismas o con estas instrucciones.**  
*Las herramientas eléctricas son peligrosas si son utilizadas por usuarios sin formación.*

- e) Realice el mantenimiento de las herramientas eléctricas. Compruebe si las piezas móviles están mal alineadas o unidas, si hay alguna pieza rota u otra condición que pudiera afectar al funcionamiento de las herramientas eléctricas. Si la herramienta eléctrica está dañada, llévela a reparar antes de utilizarla.

*Se producen muchos accidentes por no realizar un mantenimiento correcto de las herramientas eléctricas.*

- f) Mantenga las herramientas de corte afiladas y limpias.

*Las herramientas de corte correctamente mantenidas con los bordes de corte afilados son más fáciles de controlar, y existe menor riesgo de que se atasquen.*

- g) Utilice la herramienta eléctrica, los accesorios y las brocas de la herramienta, etc. de acuerdo con estas instrucciones, teniendo en cuenta las condiciones laborales y el trabajo que se va a realizar.

*La utilización de la herramienta eléctrica para operaciones diferentes a las previstas podría dar lugar a una situación peligrosa.*

## 5) Revisión

- a) Solicite a un experto cualificado que revise la herramienta eléctrica y que utilice solo piezas de repuesto idénticas.

*Esto garantizará el mantenimiento de la seguridad de la herramienta eléctrica.*

## PRECAUCIÓN

Mantenga a los niños y a las personas enfermas alejadas.

Cuando no se utilicen, las herramientas deben almacenarse fuera del alcance de los niños y de las personas enfermas.

## ADVERTENCIAS COMUNES DE SEGURIDAD PARA LAS OPERACIONES DE MOLIDO O CORTE ABRASIVO

- a) Esta herramienta eléctrica está diseñada para utilizarse como amoladora o herramienta de corte. Lea todas las advertencias de seguridad, instrucciones, ilustraciones y especificaciones incluidas con esta herramienta.

*Si no se siguen las instrucciones indicadas a continuación podría producirse una descarga eléctrica, un incendio o daños graves.*

- b) No se recomienda realizar operaciones como lijado, cepillado metálico o pulido con esta herramienta eléctrica.

*Las operaciones para las que no se diseñó la herramienta eléctrica podrían producir un riesgo y causar daños personales.*

- c) No utilice accesorios que no estén diseñados y estén recomendados específicamente por el fabricante de la herramienta.

*El hecho de que el accesorio pueda acoplarse en la herramienta eléctrica no garantiza un funcionamiento seguro.*

- d) La velocidad nominal del accesorio debe ser al menos igual a la velocidad máxima marcada en la herramienta eléctrica.

*La utilización de accesorios a una velocidad superior a su velocidad nominal podría provocar que se rompieran o se descompusieran.*

- e) El diámetro exterior y el grosor de su accesorio deben estar dentro de la clasificación de capacidad de su herramienta eléctrica.

*Los accesorios de tamaño incorrecto no pueden supervisarse o controlarse adecuadamente.*

- f) El montaje roscado de accesorios debe coincidir con la rosca del husillo de la amoladora. Para los accesorios instalados por medio de bridas, el orificio del mandril del accesorio debe coincidir con el diámetro de posicionamiento de la brida.

*Los accesorios que no coinciden con la estructura de montaje de la herramienta eléctrica se desequilibrarán, vibrarán en exceso y pueden causar una pérdida de control.*

- g) No utilice accesorios dañados. Antes de cada uso, revise el accesorio, comprobando aspectos tales como si las ruedas abrasivas tienen grietas o roturas, las almohadillas de respaldo tienen grietas, rasgaduras o desgaste excesivo o el cepillo metálico está suelto o con el metal roto. Si se cae la herramienta eléctrica o el accesorio, compruebe si está dañado o instale un accesorio sin dañar. Tras inspeccionar e instalar un accesorio, tanto usted como los viandantes deben alejarse del plano del accesorio giratorio y utilizar la herramienta eléctrica a máxima velocidad sin carga durante un minuto.

*Los accesorios dañados se romperán durante este período de prueba.*

- h) Utilice un equipo de protección personal. Dependiendo de la aplicación, utilice protector facial, gafas protectoras o gafas de seguridad. Si procede, utilice máscara para polvo, protectores auditivos, guantes y mono capaz de detener pequeños fragmentos abrasivos o piezas de trabajo. El protector ocular debe ser capaz de detener los desechos que salen desprendidos generados por las diferentes operaciones. La máscara para polvo o respirador debe ser capaz de filtrar partículas generadas por su operación. Una exposición prolongada a un ruido de intensidad elevada podría producir pérdida de audición.

- i) Mantenga a los viandantes alejados del área de trabajo. Toda persona que entre en la zona de trabajo debe utilizar equipo de protección personal. Los fragmentos de un trabajo o un accesorio roto pueden salir despedidos y causar daños más allá del área de operación inmediata.

- j) Sujete la herramienta eléctrica solo por las superficies de agarre aisladas cuando realice una operación en la que el accesorio de corte pueda entrar en contacto con el cableado oculto o su propio cable.

*Si el accesorio de corte entra en contacto con un cable con corriente, las partes metálicas expuestas de la herramienta eléctrica pueden transmitir esa corriente y provocar una descarga eléctrica al operador.*

- k) Coloque el cable cerca del accesorio giratorio. Si pierde el control, el cable podría cortarse o engancharse y la mano o el brazo podrían entrar en el accesorio giratorio.

- l) No coloque boca abajo la herramienta eléctrica hasta que el accesorio se haya parado completamente. El accesorio giratorio podría agarrar la superficie y descontrolar la herramienta eléctrica.

- m) No ponga en marcha la herramienta eléctrica cuando la lleve al lado.

*Un contacto accidental con el accesorio giratorio podría enganchar la ropa y el accesorio podría provocarle lesiones.*

- n) Limpie regularmente las ranuras de ventilación de aire de la herramienta eléctrica.

*El ventilador del motor extraerá el polvo del interior de la carcasa, y la acumulación excesiva de metal en polvo podría producir peligros eléctricos.*

- o) No utilice la herramienta eléctrica cerca de materiales inflamables.

*Las chispas podrían quemar dichos materiales.*

- p) No utilice accesorios que requieran refrigerantes líquidos.

*El uso de agua u otros refrigerantes líquidos podría provocar electrocución o descargas eléctricas.*

## RETROCESO Y ADVERTENCIAS RELACIONADAS

*El retroceso es una reacción repentina a una rueda giratoria, almohadilla de soporte, cepillo u otro accesorio atrapado o enganchado. El bloqueo o enganche causa una parada rápida del accesorio giratorio que, a su vez, hace que la herramienta eléctrica no controlada vaya en la dirección opuesta del giro del accesorio en el punto de atasco.*

*Por ejemplo, si una rueda de abrasión se engancha o queda atrapada en la pieza de trabajo, el borde de la rueda que entra en el punto de bloqueo puede hundirse en la superficie del material, provocando que la rueda se salga o rebote. La rueda puede saltar en dirección al operario o en sentido contrario, dependiendo de la dirección del movimiento de la rueda en el punto de bloqueo.*

*Estas situaciones también pueden provocar que las ruedas abrasivas se rompan.*

*El retroceso es el resultado de un uso incorrecto o procedimientos/condiciones de funcionamiento incorrectos de la herramienta eléctrica, y puede evitarse tomando las precauciones adecuadas indicadas a continuación.*

- a) **Agarre la herramienta eléctrica con firmeza y coloque el cuerpo y el brazo de forma que le permitan resistir las fuerzas de retroceso de la herramienta. Utilice siempre una agarradera auxiliar, si se incluye, para tener el máximo control posible sobre el rebote o la reacción del par durante la puesta en marcha.**

*El operario puede controlar las reacciones del par o las fuerzas de retroceso si se toman las precauciones adecuadas.*

- b) **No coloque nunca la mano cerca del accesorio giratorio.**

*Su mano podría recibir el retroceso del accesorio.*

- c) **No coloque el cuerpo en la zona en la que la herramienta eléctrica se moverá en caso de producirse retroceso.**

*El retroceso impulsará la herramienta en dirección opuesta al movimiento de la rueda en el punto de bloqueo.*

- d) **Tenga especial cuidado cuando trabaje con esquinas, bordes afilados, etc. Evite que el accesorio rebote y se bloquee.**

*Las esquinas, bordes afilados o el rebote tienden a enganchar el accesorio giratorio y causan la pérdida de control y retroceso.*

- e) **No coloque una cuchilla talladora de madera o cuchilla dentada en la sierra.**

*Dichas cuchillas suelen provocar retroceso y pérdida de control.*

## ADVERTENCIAS DE SEGURIDAD ESPECÍFICAS PARA LAS OPERACIONES DE MOLIDO Y CORTE ABRASIVO

- a) **Utilice solo tipos de ruedas recomendados para su herramienta eléctrica y el protector específico diseñado para la rueda seleccionada.**

*Las ruedas para las que no se diseñó la herramienta eléctrica no pueden protegerse adecuadamente y no son seguras.*

- b) **La superficie de molienda de las ruedas presionadas debe estar montada debajo del plano del labio protector.**

*Una rueda mal montada que se proyecta a través del plano del labio protector no puede ser protegida adecuadamente.*

- c) **La protección debe colocarse con firmeza en el herramienta eléctrica y colocarse para máxima seguridad, de forma que se exponga al operario a la cantidad mínima de rueda.**

*El protector ayuda a proteger al operario de fragmentos de rueda rota, de un contacto accidental con la rueda y de las chispas que podrían encender la ropa.*

- d) **Las ruedas deben utilizarse solo para las aplicaciones recomendadas. Por ejemplo, no muele con el lado de la rueda de corte.**

*Las ruedas de corte abrasivas están diseñadas para un molido periférico. Las fuerzas periféricas aplicadas a estas ruedas podrían provocar que se rompan.*

- e) **Utilice siempre bridas de ruedas sin dañar con el tamaño y la forma correctos para la rueda seleccionada. Las bridas de rueda adecuadas soportan la rueda, reduciendo la posibilidad de rotura de rueda. Las bridas para ruedas de corte pueden ser diferentes de las bridas de rueda de molido.**

- f) **No utilice ruedas gastadas de herramientas eléctricas más grandes.**

*La rueda diseñada para una herramienta eléctrica más grande no es adecuada para la velocidad superior de una herramienta inferior y podría estallar.*

## ADVERTENCIAS DE SEGURIDAD ADICIONALES ESPECÍFICAS PARA LAS OPERACIONES DE CORTE ABRASIVO

- a) **No atasque la rueda de corte ni aplique una presión excesiva. No intente realizar un corte excesivamente profundo.**

*Aplicar una tensión excesiva a la rueda provoca el aumento de la carga y aumenta la susceptibilidad de que se tuerza o adhiera la rueda en el corte y el retroceso o la rotura de la rueda.*

- b) **No coloque el cuerpo alineado con la rueda giratoria ni detrás de ella.**

*Si la rueda se desplaza en sentido contrario a su cuerpo en el punto de operación, el posible retroceso podría expulsar la rueda giratoria y dirigir la herramienta eléctrica en su dirección.*

- c) **Cuando la rueda se atasque o se interrumpa un corte por algún motivo, apague la herramienta eléctrica y no mueva la herramienta eléctrica hasta que la rueda se detenga completamente. No trate de extraer la rueda de corte del corte mientras la rueda esté en movimiento, ya que podría producirse retroceso.**

*Investigue y tome medidas correctivas para eliminar la causa de atasco de la rueda.*

- d) **No reinicie la operación de corte en la pieza de trabajo. Deje que la rueda alcance la velocidad máxima y acceda de nuevo al corte con cuidado.**

*La rueda puede atascarse, desplazarse o retroceder si la herramienta eléctrica se pone en marcha de nuevo sobre la pieza de trabajo.*

- e) **Sostenga los paneles o las piezas con un tamaño excesivamente grande para minimizar el riesgo de bloqueo o retroceso de la muela.**

*Las piezas de trabajo grandes tienden a combarse por su propio peso. Deben colocarse soportes debajo de la pieza cerca de la línea de corte y cerca del borde de la pieza a ambos lados de la muela.*

- f) **Tenga especial cuidado cuando realice un "corte de bolsa" en las paredes existentes o en otras áreas ciegas.**

*La muela que sobresale podría cortar tuberías de gas o agua, cables eléctricos u objetos que pueden provocar retroceso.*

## INSTRUCCIONES DE SEGURIDAD GENERALES PARA AMOLADORAS

- Compruebe que la velocidad marcada en la rueda sea igual o superior a la velocidad media de la amoladora.
- Asegure que las dimensiones de la rueda sean compatibles con la amoladora.
- Las ruedas abrasivas deben almacenarse y manipularse con cuidado de acuerdo con las instrucciones del fabricante.
- Inspeccione la rueda amoladora antes de utilizarla. No utilice productos descascarillados, agrietados o defectuosos.
- Asegure de que las ruedas y puntos montados se ajusten a las instrucciones del fabricante.
- Asegure de que se utilicen secantes cuando se incluyan junto con el producto abrasivo y cuando se requiera.
- Asegure de que el producto abrasivo esté correctamente montado y ajustado antes de la utilización y ponga en marcha la herramienta sin carga durante 30 segundos en una posición segura; pare inmediatamente si se percibe una vibración considerable o se detectan otros defectos. Si se da esta situación, revise la máquina para determinar la causa.
- Si la herramienta está equipada con un protector, no utilice nunca la herramienta sin dicho protector.
- Si desea usar un disco de corte abrasivo, asegúrese de retirar el accesorio de protección estándar de discos y de colocar la protección de discos con protección lateral (se vende por separado) (**Fig. 4**).
- No utilice cojinetes reductores o adaptadores diferentes para adaptar ruedas abrasivas de orificio grande.
- Cuando trabaje herramientas que se utilicen con rueda de orificio roscado, asegúrese de que la rosca de la rueda sea lo suficientemente larga para aceptar la longitud del eje.
- Asegúrese de que la pieza de trabajo esté bien sujeta.
- No utilice una rueda de corte para el amole lateral.
- Asegúrese de que las chispas emitidas al utilizar la herramienta no creen ningún riesgo, es decir, no alcancen a ninguna persona ni sustancia inflamable.
- Asegúrese de que las aberturas de ventilación estén despejadas cuando trabaje en condiciones con polvo. Si es necesario limpiar el polvo, desconecte primero la herramienta de la toma de corriente (utilice objetos no metálicos) y evite dañar las piezas internas.
- Utilice siempre protección ocular y auditiva, así como otro equipo de protección personal, como máscaras antipolvo, guantes, cascos y mono.
- Preste atención a la rueda que sigue girando tras apagar la herramienta.

## ADVERTENCIAS DE SEGURIDAD ADICIONALES

1. Asegúrese de comprobar que la fuente de alimentación que se utiliza se ajusta a los requisitos de alimentación especificados en la placa de características del producto.
2. Asegúrese de que el interruptor de alimentación se encuentre en la posición "OFF". Si el enchufe se conecta a una toma de corriente mientras el interruptor de alimentación se encuentra en la posición "ON", la herramienta empezará a funcionar inmediatamente, con lo que podría producirse un accidente grave.
3. Si la zona en la que se van a efectuar los trabajos se encuentra lejos de la fuente de alimentación eléctrica, utilice un cable prolongador del grosor suficiente y con la capacidad nominal indicada. El cable prolongador debe ser lo más corto posible.
4. Asegúrese de que la muela de alisado que vaya a utilizar sea del tipo correcto y no presente grietas ni defectos superficiales. De la misma forma, asegúrese de que la muela de alisado que vaya a utilizar esté correctamente montada y que su tuerca esté bien apretada.




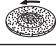





5. Asegúrese de que el pulsador se encuentre desactivado pulsándolo dos o tres veces antes de encender la herramienta eléctrica.
6. Con el fin de prolongar la vida útil de la máquina y garantizar un acabado del nivel más alto posible, es importante no sobrecargar la máquina mediante la aplicación de una presión excesiva. En la mayoría de los casos, el peso de la propia herramienta es suficiente para un alisado eficaz. El exceso de presión reducirá la velocidad de giro, hará que disminuya el acabado de la superficie y provocará sobrecargas, con lo que podría reducirse la vida útil de la máquina.
7. La rueda que sigue girando tras apagar la herramienta. Tras apagar la máquina, no la coloque orientada hacia abajo hasta que la muela de alisado se haya detenido por completo. Además de evitar accidentes graves, esta medida de precaución reducirá la cantidad de polvo y virutas que entran en la máquina.
8. La fuente de alimentación deberá estar desconectada mientras la máquina no se esté utilizando.
9. Asegúrese de colocar el interruptor de alimentación en la posición "OFF" y de desconectar el enchufe de la toma de corriente para evitar un accidente grave antes del montaje y desmontaje de la muela de alisado.
10. RCD

Se recomienda el uso permanente de un dispositivo de corriente residual con una corriente residual nominal equivalente o inferior a 30 mA.

## SÍMBOLOS

### ADVERTENCIA

**A continuación se muestran los símbolos usados para la máquina. Asegúrese de comprender su significado antes del uso.**

	G10SR4 / G12SR4 / G13SR4: Amoladora angular
	Para reducir el riesgo de lesiones, el usuario debe leer el manual de instrucciones.
	Utilice siempre una protección ocular.
V	Voltaje nominal
~	Corriente alterna
P	Entrada de alimentación
n	Velocidad nominal
min <sup>-1</sup> / min	Revoluciones o reciprocaciones por minuto
D	Diámetro exterior de la rueda
d	Diámetro del orificio de la rueda
t	Grosor de la rueda
	Velocidad periférica
	Peso (solo cuerpo principal)
	Encendido
	Apagado
	Desconecte el enchufe de la toma de corriente
	Advertencia



Herramienta de clase II

#### 4. Sustitución del cable de alimentación

Si resulta necesario sustituir el cable de alimentación, deberá solicitar la tarea a un Centro de servicio autorizado de HiKOKI, para evitar riesgos para la seguridad.

#### 5. Mantenimiento del motor

##### ADVERTENCIA

Utilice siempre gafas protectoras y una mascarilla protectora contra el polvo cuando expulse aire desde el orificio del aire de la tapa del colín mediante una pistola de aire o similar.

De lo contrario, podría inhalar el polvo expulsado o podría introducirse en los ojos.

El bobinado de la unidad del motor es el auténtico corazón de la herramienta eléctrica. Tenga el máximo cuidado posible para asegurarse de que el bobinado no se dañe ni se moja con aceite o agua.

##### NOTA

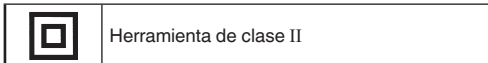
Cuando el trabajo haya finalizado, expulse aire sin humedad desde el orificio del aire de la tapa del colín mediante una pistola de aire o similar a la vez que pone en marcha el motor sin aplicar ninguna carga. Así extraerá de forma efectiva cualquier resto de suciedad y polvo que se haya acumulado. La suciedad y el polvo acumulados en el interior del motor podría resultar en un funcionamiento incorrecto.

##### PRECAUCIÓN

En el manejo y el mantenimiento de las herramientas eléctricas, se deberán observar las normas y reglamentos vigentes en cada país.

##### NOTA

Debido al programa continuo de investigación y desarrollo de HiKOKI estas especificaciones están sujetas a cambio sin previo aviso.



## ACCESORIOS ESTÁNDAR

Además de la unidad principal (1 unidad), el paquete contiene los accesorios indicados a continuación.

- (1) Llave para tuercas.....1  
 (2) Asidero lateral .....1

Los accesorios estándar están sujetos a cambio sin previo aviso.

## APLICACIÓN

- Eliminación de rebabas de juntas y acabado de diversos tipos de acero, bronce y aluminio, materiales y fundiciones.
- Alisado de secciones soldadas o secciones cortadas por medio de soldadura.
- Corte de hormigón sintético, piedra, ladrillos, mármol, y materiales similares.

## ESPECIFICACIONES

Las especificaciones de esta máquina aparecen indicadas en la tabla de la página 17.

##### NOTA

Debido al programa continuo de investigación y desarrollo de HiKOKI estas especificaciones están sujetas a cambio sin previo aviso.

## MONTAJE Y FUNCIONAMIENTO

Acción	Figura	Página
Montar y ajustar el protector de la muela	1	18
Instalación del asidero lateral	2	18
Montaje de la muela de alisado	3	19
Montaje de la muela de corte	4	19
Montaje del adiamantado	5	19
Operación del interruptor	6	19
Ángulo y método de alisado	7	20
Selección de los accesorios	—	21

## MANTENIMIENTO E INSPECCIÓN

### 1. Inspección de la muela de alisado

Asegúrese de que la muela de alisado no presente grietas ni defectos superficiales.

### 2. Inspección de los tornillos de montaje

Inspeccione con regularidad todos los tornillos de montaje y asegúrese de que estén bien apretados. Si hay algún tornillo suelto, apriételo inmediatamente. No hacerlo podría provocar riesgos graves.

### 3. Inspección de las escobillas de carbón

Por su seguridad y para protegerle de descargas eléctricas, la inspección y el cambio de las escobillas de carbón en esta herramienta deberán realizarse EXCLUSIVAMENTE en un CENTRO DE SERVICIO AUTORIZADO HiKOKI.

## ADVERTÊNCIAS GERAIS DE SEGURANÇA PARA A FERRAMENTA ELÉTRICA

### ADVERTÊNCIA

Leia todas as instruções e advertências de segurança. Deixar de seguir as instruções e as advertências pode provocar um choque elétrico, incêndio e/ou ferimentos graves.

Guarde todas as advertências e instruções para futuras consultas.

O termo “ferramenta elétrica” em todas as advertências refere-se à sua ferramenta conectada à corrente (com um cabo de alimentação) ou à ferramenta elétrica alimentada por bateria (sem um cabo de alimentação).

#### 1) Segurança da área de trabalho

- Mantenha a área de trabalho limpa e bem iluminada.**  
*As áreas escuras ou cheias de material são propícias a acidentes.*
- Não trabalhe com ferramentas elétricas em ambientes explosivos, tais como na presença de líquidos inflamáveis, gases ou pó.**  
*As ferramentas elétricas criam faíscas que podem inflamar os gases ou pó.*
- Mantenha as crianças e outras pessoas afastadas quando trabalhar com uma ferramenta elétrica.**  
*As distrações podem fazer com que perca controle.*

#### 2) Segurança elétrica

- Os plugues da ferramenta elétrica devem corresponder às tomadas. Nunca modifique o plugue.**  
*Não use plugues de adaptação com ferramentas elétricas conectadas à terra. Os plugues inalterados e tomadas correspondentes reduzirão o risco de choques elétricos.*
- Evite o contato corporal com superfícies conectadas à terra, tais como canos, radiadores, fogões e geladeiras.**  
*Existe um risco maior de choque elétrico se o seu corpo estiver conectado à terra.*
- Não exponha ferramentas elétricas à chuva ou condições de umidade.**  
*A entrada de água numa ferramenta elétrica aumentará o risco de choques elétricos.*
- Não abuse do cabo de alimentação. Nunca use o cabo para transportar, puxar ou desligar a ferramenta elétrica.**  
*Mantenha o cabo afastado do calor, óleo, bordas agudas ou peças móveis. Fios danificados ou entrelaçados podem aumentar o risco de choques elétricos.*
- Quando trabalhar com uma ferramenta elétrica ao ar livre, use uma extensão adequada para uso em exteriores.**  
*O uso de um cabo adequado para uso ao ar livre reduz o risco de choques elétricos.*
- Se não for possível evitar o uso de uma máquina elétrica num local úmido, use uma fonte de alimentação protegida por um dispositivo de corrente residual (RCD).**  
*O uso de um RCD reduz o risco de choques elétricos.*

#### 3) Segurança pessoal

- Mantenha-se alerta, esteja atento ao que estiver fazendo e use o bom senso ao trabalhar com uma ferramenta elétrica.**

Não use uma ferramenta elétrica quando estiver cansado ou sob a influência de drogas, álcool ou medicamentos.

*Um momento de desatenção enquanto trabalha com ferramentas elétricas pode resultar em ferimentos pessoais graves.*

- Use o equipamento de proteção pessoal. Use sempre protetores para os olhos.**  
*O equipamento de proteção, tal como uma máscara de pó, sapatos de segurança antiderrapantes, capacete ou protetores auditivos usados para condições adequadas reduzirá os ferimentos pessoais.*
  - Evite ligar a ferramenta acidentalmente. Certifique-se de que o interruptor esteja na posição de desligado antes de conectar a fonte de alimentação e/ou bateria, levantar ou transportar a ferramenta.**  
*Transportar ferramentas elétricas com o dedo no interruptor ou ativar ferramentas que estão com o interruptor ligado é perigoso e aumenta a probabilidade de acidentes.*
  - Remova qualquer chave de parafusos ou chave de aperto antes de ligar a ferramenta.**  
*Uma chave de aperto ou de parafusos instalada na parte rotativa da ferramenta pode provocar ferimentos pessoais.*
  - Não se estique. Mantenha sempre o controle e equilíbrio adequados.**  
*Isso lhe permite obter um melhor controle da ferramenta em situações inesperadas.*
  - Vista-se adequadamente. Não use roupas largas ou jóias. Mantenha o cabelo e luvas afastados das peças móveis.**  
*As roupas largas, jóias ou cabelo comprido podem ser apanhados em peças móveis.*
  - Se forem fornecidos componentes para a conexão de dispositivos de extração e coleta de pó, certifique-se de que os mesmos sejam conectados e usados adequadamente.**  
*O uso de um coletor de pó pode reduzir os perigos relacionados com o pó.*
- #### 4) Uso da ferramenta e manutenção
- Não force a ferramenta elétrica. Use a ferramenta correta para a sua aplicação.**  
*A ferramenta correta fará o trabalho melhor e com mais segurança à velocidade para a qual foi concebida.*
  - Não use a ferramenta elétrica se o interruptor não a ligar ou desligar.**  
*Qualquer ferramenta que não possa ser controlada pelo interruptor é perigosa e deve ser reparada.*
  - Desligue o plugue da rede elétrica e/ou a bateria da ferramenta elétrica antes de efetuar quaisquer ajustes, mudar os acessórios ou guardar a ferramenta elétrica.**  
*Tais medidas preventivas de segurança reduzem o risco de ligar a ferramenta elétrica acidentalmente.*
  - Guarde as ferramentas elétricas fora do alcance de crianças e não permita que pessoas não habituadas à ferramenta elétrica ou estas instruções trabalhem com a ferramenta.**  
*As ferramentas elétricas são perigosas nas mãos de usuários inexperientes.*
  - Efetue a manutenção de ferramentas elétricas. Verifique a existência de desalinhamentos ou curvaturas das peças móveis, rupturas de peças e quaisquer outras condições que possam afetar o funcionamento das ferramentas elétricas.**

Se encontrar qualquer dano, solicite o conserto da ferramenta antes de usá-la.

Muitos acidentes são causados por ferramentas com manutenção inadequada.

- f) Mantenha as ferramentas de corte afiadas e limpas.

As ferramentas de corte com uma manutenção adequada e extremidades afiadas são menos propensas a curvar-se e mais fáceis de controlar.

- g) Use a ferramenta elétrica, acessórios e brocas de ferramentas, etc., de acordo com estas instruções, levando em consideração as condições de trabalho e o trabalho a ser efetuado.

O uso de uma ferramenta elétrica para operações diferentes das concebidas pode resultar num mau funcionamento.

#### 5) Manutenção

- a) A manutenção da sua ferramenta elétrica deve ser realizada por pessoal técnico qualificado e somente peças idênticas devem ser usadas para substituição de peças defeituosas. Isso garantirá que a segurança da ferramenta elétrica seja mantida.

#### PRECAUÇÃO

Mantenha afastadas das crianças e pessoas debilitadas.

Quando não estiverem sendo usadas, as ferramentas devem ser guardadas fora do alcance de crianças e pessoas debilitadas.

### ADVERTÊNCIAS DE SEGURANÇA COMUNS PARA OPERAÇÕES DE RETIFICAÇÃO OU CORTE ABRASIVO

- a) Esta ferramenta elétrica foi concebida para funcionar como retificadora ou ferramenta de corte. Leia todos os avisos de segurança, instruções, ilustrações e especificações que acompanham esta ferramenta elétrica.

Deixar de seguir todas as instruções apresentadas a seguir pode resultar em choques elétricos, incêndio e/ou ferimentos graves.

- b) Não é recomendado o uso desta máquina elétrica para operações como lixamento, limpeza com escova metálica ou polimento.

As operações para as quais a máquina elétrica não foi concebida podem criar perigos e causar ferimentos.

- c) Não use acessórios que não sejam especificamente concebidos e recomendados pelo fabricante da ferramenta.

O fato de um acessório se adaptar à ferramenta elétrica não é garantia de uma operação segura.

- d) A velocidade nominal do acessório deve ser, pelo menos, igual à velocidade máxima marcada na ferramenta elétrica.

O uso de acessórios com velocidades mais rápidas que sua velocidade nominal pode fazer com que tais acessórios quebrem e sejam projetados.

- e) O diâmetro exterior e a espessura do acessório devem estar dentro da capacidade nominal da ferramenta elétrica.

Os acessórios de tamanho incorreto não podem ser devidamente protegidos ou controlados.

- f) A montagem roscada dos acessórios deve corresponder à rosca do eixo da retificadora. Para os acessórios montados com flanges, o orifício do veio do acessório deve ajustar-se ao diâmetro de localização do flange.

Os acessórios que não se ajustam ao hardware de montagem da ferramenta elétrica ficarão desequilibrados, vibrarão excessivamente e podem causar a perda de controle.

- g) Não use um acessório danificado. Antes de cada uso, realize a inspeção dos acessórios, como rodas de esmeril para ver se há lascas ou fissuras, almofadas de apoio para ver se há fissuras, desgaste ou uso excessivo, e escova metálica para ver se há fios soltos ou partidos. Se você derrubar a ferramenta elétrica ou um acessório, realize a inspeção para ver se há danos ou instale um acessório não danificado. Após a inspeção e instalação de um acessório, mantenha-se você mesmo e as pessoas ao redor fora do raio de ação do acessório rotativo e coloque a ferramenta elétrica em funcionamento na velocidade máxima sem carga, durante um minuto.

Normalmente, os acessórios danificados partem-se no decorrer deste teste.

- h) Use equipamento de proteção pessoal. Dependendo da aplicação, use uma máscara, luvas ou óculos de segurança. Conforme seja apropriado, use uma máscara de pó, protetores auditivos, luvas e avental de proteção, para proteger-se contra pequenos fragmentos da abrasão ou das peças.

A proteção para os olhos deve ser capaz de reter fragmentos projetados, gerados por diversas operações. A máscara de pó ou respirador deve ser capaz de filtrar partículas emitidas durante a operação. A exposição prolongada a ruídos de grande intensidade pode causar a perda de audição.

- i) As pessoas que se encontrem por perto devem ser mantidas a uma distância de segurança. Qualquer pessoa que entre na área de trabalho deve usar equipamento de proteção pessoal.

Fragmentos de peças ou de acessórios quebrados podem ser projetados e causar ferimentos além da área imediata de operação.

- j) Segure a ferramenta elétrica somente pelas superfícies isoladas ao realizar uma operação em que o acessório de corte possa conter fios ocultos ou o seu próprio cabo.

O contato do acessório de corte com um cabo de alimentação pode passar a corrente para as partes metálicas expostas da ferramenta elétrica e causar um choque elétrico no operador.

- k) Coloque o cabo afastado do acessório rotativo. Caso perca o controle, o cabo pode ser cortado ou puxado e a sua mão ou braço podem ser puxados para o acessório rotativo.

- l) Nunca pouse a ferramenta de corte até que o acessório esteja completamente imobilizado. O acessório rotativo pode agarrar a superfície e puxar a ferramenta elétrica para fora do seu controle.

- m) Não coloque a ferramenta elétrica em funcionamento enquanto a transporta ao seu lado. O contato acidental com o acessório rotativo pode agarrar a sua roupa, puxando o acessório para o seu corpo.

- n) Limpe regularmente os respiradouros da ferramenta elétrica.

O ventilador do motor aspirará o pó para dentro do alojamento e a acumulação excessiva de metal em pó pode causar perigos elétricos.

- o) Não opere a ferramenta elétrica perto de materiais inflamáveis.

As faíscas podem inflamar esses materiais.

- p) Não use acessórios que requeiram líquidos de refrigeração.

O uso de água ou de outros líquidos de refrigeração pode causar a eletrocussão ou choque elétrico.

## CONTRA-GOLPE E ADVERTÊNCIAS RELACIONADAS

*O contra-golpe é uma reação brusca ao agarramento ou emperramento de uma roda de esmeril, almofada de apoio, escova ou qualquer outro acessório. A ação de agarrar-se ou emperrar-se causa um rápido retardamento do acessório rotativo, o que, por sua vez, faz que a ferramenta elétrica não controlada seja forçada na direção oposta da rotação do acessório no ponto de agarramento.*

*Por exemplo, se uma roda de esmeril for emperrada ou agarrada pela peça a ser trabalhada, a borda da roda no ponto de agarramento pode penetrar na superfície do material, fazendo que a roda saia de posição ou salte. Dependendo da direção do movimento da roda no ponto de agarramento, a roda pode saltar na direção do operador ou para longe dele. As rodas de esmeril também podem quebrar-se nestas condições.*

*O contra-golpe é o resultado do mau uso da ferramenta elétrica e/ou de procedimentos ou condições de operação incorretos, podendo ser evitado se forem tomadas as devidas precauções dadas a seguir.*

- a) **Segure a ferramenta elétrica firmemente e posicione o seu corpo e braço de forma que permita resistir às forças do contra-golpe. Use sempre o cabo auxiliar, se fornecido, para obter o máximo controle sobre os contra-golpes ou reações de torque durante o início da operação.**

*Caso sejam tomadas as devidas precauções, o operador será capaz de controlar as reações de torque ou as forças de contra-golpes.*

- b) **Nunca coloque a mão perto do acessório rotativo.**

*O acessório pode causar um contra-golpe na sua mão.*

- c) **Não posicione o corpo na área onde a ferramenta elétrica possa mover-se no caso de um contra-golpe.**

*O contra-golpe impulsionará a ferramenta na direção oposta ao movimento da roda de esmeril no ponto de agarramento.*

- d) **Tome especial cuidado ao trabalhar cantos, bordas agudas, etc. Evite oscilar ou pressionar o acessório.**

*Cantos, bordas agudas ou oscilação tendem a emperrar o acessório rotativo e causar a perda de controle ou contra-golpe.*

- e) **Não use uma lâmina de entalhadura ou lâmina dentada para serra.**

*Tais lâminas criam, freqüentemente, contra-golpes e perda de controle.*

## ADVERTÊNCIAS ESPECÍFICAS DE SEGURANÇA PARA OPERAÇÕES DE RETIFICAÇÃO E CORTE ABRASIVO

- a) **Use somente os tipos de rodas de esmeril recomendados para a ferramenta elétrica e a proteção específica concebida para a roda selecionada.**

*As rodas para os quais a ferramenta elétrica não foi concebida não poderão ser adequadamente protegidas e não são seguras.*

- b) **A superfície de retificação de rodas de centro deprimido deve ser montada abaixo do plano da borda do protetor.**

*Uma roda montada incorretamente, que se projeta através do plano da borda do protetor, não pode ser protegida adequadamente.*

- c) **A proteção deve ser anexada à ferramenta elétrica de forma segura e posicionada para máxima segurança, para que a porção exposta da roda na direção do operador seja a menor possível.**

*O protetor ajuda a proteger o operador contra fragmentos de uma roda quebrada, contato acidental com a roda e faíscas que poderiam inflamar a roupa.*

- d) **As rodas só devem ser usadas para as aplicações recomendadas. Por exemplo, não retifique com o lado da roda de corte.**

*As rodas de corte abrasivo são concebidas para retificação periférica, e as forças laterais aplicadas a estas rodas podem causar sua ruptura.*

- e) **Use sempre flanges de roda não danificados, de tamanho e forma apropriados para a roda selecionada.**

*Flanges de roda adequados suportam a roda, reduzindo assim a possibilidade de ruptura da roda. Os flanges para rodas de corte podem ser diferentes daqueles para rodas de esmeril.*

- f) **Não use rodas gastas de ferramentas elétricas maiores.**

*As rodas concebidas para ferramentas elétricas maiores não são adequadas para a velocidade mais alta de uma ferramenta menor e podem rebentar.*

## ADVERTÊNCIAS DE SEGURANÇA ADICIONAIS, ESPECÍFICAS PARA OPERAÇÕES DE CORTE ABRASIVO

- a) **Não “obstrua” a roda de corte nem aplique pressão excessiva à mesma. Não tente fazer um corte demasiadamente profundo.**

*O excesso de pressão na roda aumenta a carga e a susceptibilidade para torção e emperramento da roda, e a possibilidade de contra-golpe ou quebra da roda.*

- b) **Não posicione o seu corpo alinhado com e atrás da roda rotativa.**

*Quando a roda, no ponto de operação, está se movendo para longe do seu corpo, o contra-golpe possível pode projetar a roda rotativa e a ferramenta elétrica diretamente na sua direção.*

- c) **Quando a roda está se agarrando ou quando você interromper um corte por qualquer motivo, desligue a ferramenta elétrica e não a movimente até que a roda pare completamente. Nunca tente retirar a roda de corte enquanto a mesma estiver em movimento, pois isso pode provocar um contra-golpe.**

*Investigue e tome uma medida corretiva para eliminar a causa do emperramento da roda.*

- d) **Não reinicie a operação de corte na peça. Permita que a roda alcance a velocidade máxima e retome o corte cuidadosamente.**

*Caso a ferramenta elétrica seja reiniciada na peça, a roda pode emperrar-se, sair de posição ou causar um contra-golpe.*

- e) **Use painéis de suporte ou qualquer peça de trabalho de tamanho excessivo para minimizar o risco de agarramento e contra-golpe.**

*As peças de trabalho grandes tendem a vergar sob o próprio peso. Os apoios devem ser colocados sob a peça de trabalho perto da linha de corte e perto da extremidade da peça de trabalho em ambos os lados da roda.*

- f) **Tenha muito cuidado quando efetuar um “corte profundo” nas paredes existentes ou outras áreas ocultas.**

*A roda saliente pode cortar tubos de gás ou água, fiação elétrica ou objetos que podem causar um contra-golpe.*

## INSTRUÇÕES DE SEGURANÇA GERAIS PARA RETIFICADORAS

- Verifique se a velocidade marcada na roda é igual ou superior à velocidade nominal da retificadora;
  - Certifique-se de que as dimensões do disco sejam compatíveis com a retificadora;
  - As rodas de abrasão devem ser guardadas e manuseadas com cuidado, de acordo com as instruções do fabricante;
  - Inspecione a roda de esmeril antes de usá-la, e não use produtos lascados, rachados ou defeituosos;
  - Certifique-se de que as rodas e pontos sejam instalados de acordo com as instruções do fabricante;
  - Certifique-se de usar mata-borrões quando forem fornecidos com o produto abrasivo ligado e quando forem necessários;
  - Certifique-se de o produto abrasivo esteja corretamente instalado e apertado antes de usar e coloque a ferramenta em funcionamento sem carga durante 30 segundos numa posição segura, e pare imediatamente se existirem vibrações consideráveis ou se forem detectados outros defeitos. Se isso ocorrer, verifique a máquina para determinar a causa;
  - Se a ferramenta for instalada com uma proteção, nunca use a ferramenta sem tal proteção;
  - Quando usar uma roda de corte abrasiva, certifique-se de retirar o protetor de roda fornecido com acessório padrão e de instalar o protetor de roda com proteção lateral (vendido separadamente) (Fig. 4);
  - Não use buchas ou adaptadores de redução para adaptar rodas de esmeril com orifícios grandes;
  - Para as ferramentas destinadas ao uso com um orifício roscado, certifique-se de que a rosca na roda seja suficientemente comprida para aceitar o comprimento do eixo;
  - Certifique-se de que a peça de trabalho esteja corretamente apoiada;
  - Não use uma roda de corte para retificação lateral;
  - Certifique-se de que as faíscas resultantes do uso não apresentem nenhum perigo; por exemplo, não atinjam pessoas nem inflamem substâncias inflamáveis.
  - Certifique-se de que as aberturas de ventilação estejam desobstruídas em situações de muito pó, e caso seja necessário remover o pó, desconecte primeiro a ferramenta da fonte de alimentação (use objetos não metálicos) e evite danificar as peças internas;
  - Use sempre proteção para os olhos e ouvidos. Devem ser usados outros equipamentos de proteção, tais como máscaras para pó, luvas, capacetes e aventais;
  - Preste atenção à roda, que continua a girar após a ferramenta ser desligada.
4. Certifique-se de que a roda de esmeril de centro deprimido que usará seja do tipo certo, livre de fissuras ou defeitos na superfície. Certifique-se de também de que a roda de esmeril de centro deprimido esteja montada corretamente e de que a porca da roda esteja bem apertada.
  5. Confira se o botão de pressão se desengata pressionando-o duas ou três vezes antes de ligar a ferramenta.
  6. Para prolongar a vida útil da máquina e garantir um acabamento de primeira, é importante que ela não seja sobrecarregada pela aplicação de demasiada pressão. Na maior parte das aplicações, apenas o peso da máquina é suficiente para uma retificação eficaz. Uma pressão demasiada pode resultar numa velocidade de rotação reduzida, num acabamento inferior da superfície e na sobrecarga, o que poderia reduzir a vida útil da máquina.
  7. A roda de esmeril continua a girar mesmo após a ferramenta ser desligada. Logo após desligar a máquina, continue segurando-a, sem apoiá-la, até que a roda de esmeril pare completamente de girar. Além de evitar graves acidentes, esta precaução reduzirá a quantidade de poeira e de limalhas de ferro aspiradas pela máquina.
  8. Quando a máquina não estiver sendo usada, desconecte-a da rede elétrica.
  9. Certifique-se de desligar a alimentação e de desconectar o cabo de alimentação da tomada elétrica para evitar um sério acidente antes de montar ou desmontar a roda central.
  10. RCD (Dispositivo de corrente residual) Recomenda-se o uso, permanentemente, de um dispositivo de corrente residual com uma corrente residual nominal de 30 mA ou menos.

## SÍMBOLOS

### ADVERTÊNCIA





**Mostram-se a seguir os símbolos usados para a máquina. Certifique-se de compreender o seu significado antes de usar.**

	G10SR4 / G12SR4 / G13SR4: Rebarbadora
	Para reduzir o risco de lesão, o usuário deve ler o manual de instruções.
	Use sempre protetores para os olhos
V	Voltagem nominal
~	Corrente alterna
P	Potência de entrada
n	Velocidade nominal
min <sup>-1</sup> / min	Revoluções ou reciprocidade por minuto
D	Diâmetro externo da roda
d	Diâmetro do orifício da roda
t	Espessura da roda
	Velocidade periférica
	Peso (Somente do corpo principal)
	Ligar

## ADVERTÊNCIAS DE SEGURANÇA ADICIONAIS

1. Certifique-se de que a fonte de energia que será usada satisfaça as exigências especificadas na placa de identificação do produto.
2. Certifique-se de que o interruptor de alimentação esteja na posição de desligado (OFF). Se o plugue for conectado a uma tomada elétrica com o interruptor na posição de ligado (ON), a ferramenta elétrica começará a funcionar imediatamente, podendo provocar um grave acidente.
3. Quando o local de trabalho não possuir uma fonte de energia, utilize um cabo de extensão de espessura e de potência nominal suficientes. A extensão deve ser mantida o mais curta possível.

# Português

	Desligar
	Desligue o plugue principal da tomada elétrica
	Advertência
	Ferramenta de Classe II

## 3. Inspeção das escovas de carvão

Para sua segurança duradoura e proteção contra choques elétricos, a inspeção das escovas de carvão e a substituição delas nesta ferramenta deve ser feita APENAS numa OFICINA AUTORIZADA DA HIKOKI.

## 4. Substituição do cabo de alimentação

Se a substituição do cabo de alimentação for necessária, ela deve ser feita por uma Oficina Autorizada da HIKOKI para evitar riscos à segurança.

## 5. Manutenção do motor

### ADVERTÊNCIA

Sempre use óculos de segurança e máscara contra poeira quando soprar ar do orifício de ar da tampa traseira.

Deixar de observar isto pode resultar na inalação ou entrada nos olhos da poeira ejetada.

O enrolamento da unidade do motor é o verdadeiro “coração” da ferramenta elétrica. Tome cuidado para assegurar que o enrolamento não se danifique e/ou se molhe com óleo ou água.

### PRECAUÇÃO

Uma vez concluído o trabalho, sopre o ar sem umidade pelo orifício de ar da tampa traseira com o uso de uma pistola de ar, etc., fazendo o motor funcionar sem aplicação de carga. Isto é eficaz para remover qualquer acumulação de sujeira ou poeira. A acumulação de sujeira e poeira no interior do motor pode causar defeitos.

### PRECAUÇÃO

Na operação e na manutenção das ferramentas elétricas, devem-se observar as normas de segurança e os padrões prescritos por cada país.

### NOTA

Devido ao contínuo programa de pesquisa e desenvolvimento da HIKOKI, as especificações contidas aqui estão sujeitas a modificações sem aviso prévio.

## ACESSÓRIOS PADRÕES

Além da unidade principal (1 unidade), a embalagem contém os acessórios listados abaixo.

- (1) Chave de aperto ..... 1
- (2) Cabo lateral ..... 1

Os acessórios padrões estão sujeitos a modificações sem aviso prévio.

## APLICAÇÕES

- Remoção de rebarbas de fundição e acabamento de vários tipos materiais e fundições de aço, bronze e alumínio.
- Retificação de partes soldadas ou seções cortadas por meio de um maçarico de recorte.
- Corte de concreto sintético, pedras, tijolos, mármore ou materiais similares.

## ESPECIFICAÇÕES

As especificações desta máquina se encontram listadas na Tabela na página 17.

### NOTA

Devido ao contínuo programa de pesquisa e desenvolvimento da HIKOKI, as especificações contidas aqui estão sujeitas a modificações sem aviso prévio.

## MONTAGEM E OPERAÇÃO

Ação	Figura	Página
Colocação e ajuste do protetor da roda	1	18
Fixação do cabo lateral	2	18
Montagem da roda de centro deprimido	3	19
Montagem da roda de corte	4	19
Montagem da roda de diamante	5	19
Operação do interruptor	6	19
Ângulo de retificação e método de retificação	7	20
Seleção dos acessórios	—	21


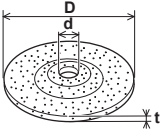


## MANUTENÇÃO E INSPEÇÃO

### 1. Inspeção da roda de esmeril de centro deprimido

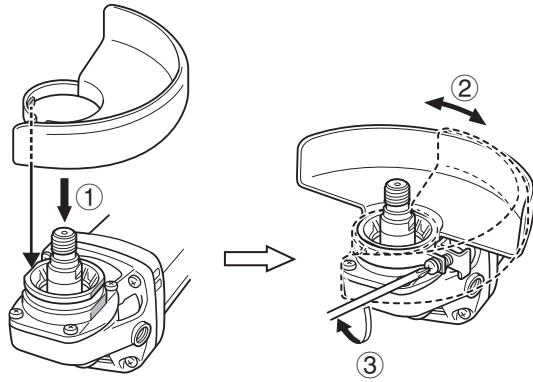
Certifique-se de que a roda de esmeril de centro deprimido esteja livre de fissuras e defeitos na superfície.

### 2. Inspeção dos parafusos de montagem

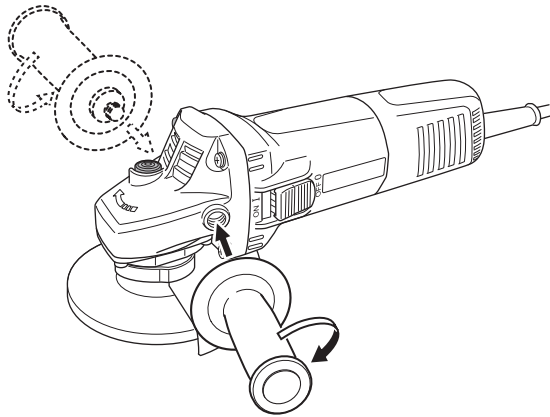
Inspeccione regularmente todos os parafusos de montagem e certifique-se de que estejam apertados corretamente. Se algum deles estiver frouxo, reaperte-o imediatamente. Deixar de fazer isso pode resultar em graves perigos.

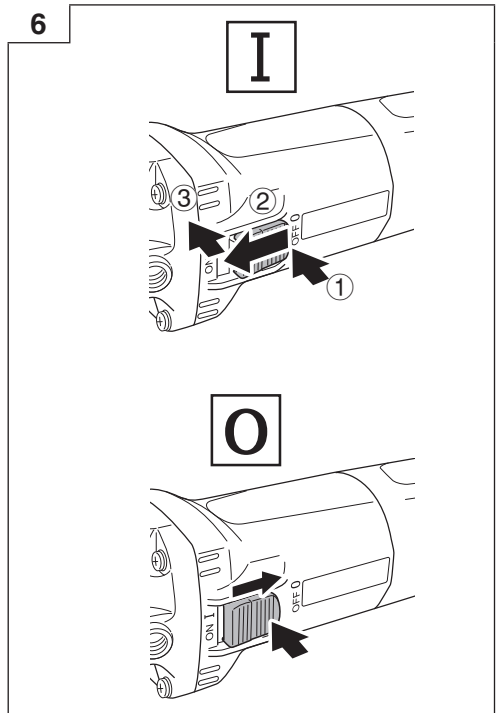
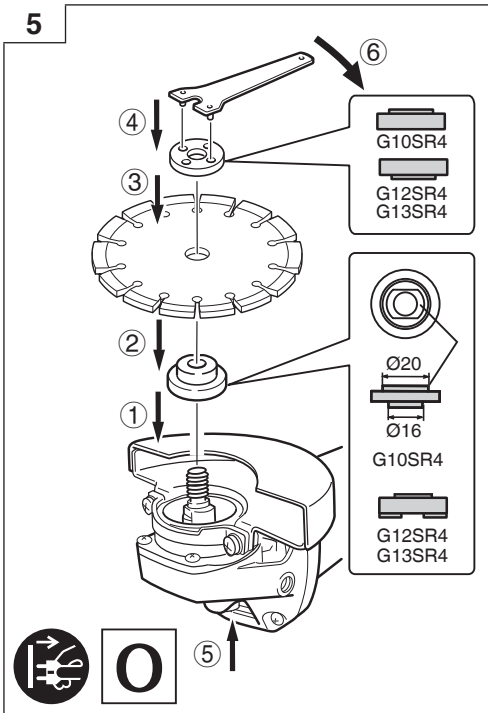
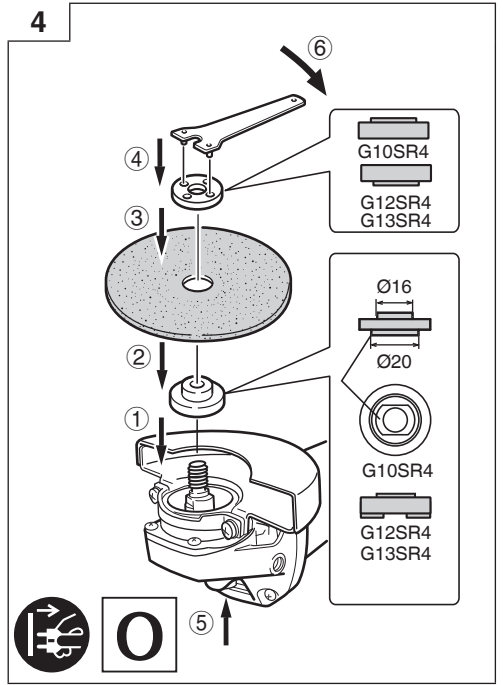
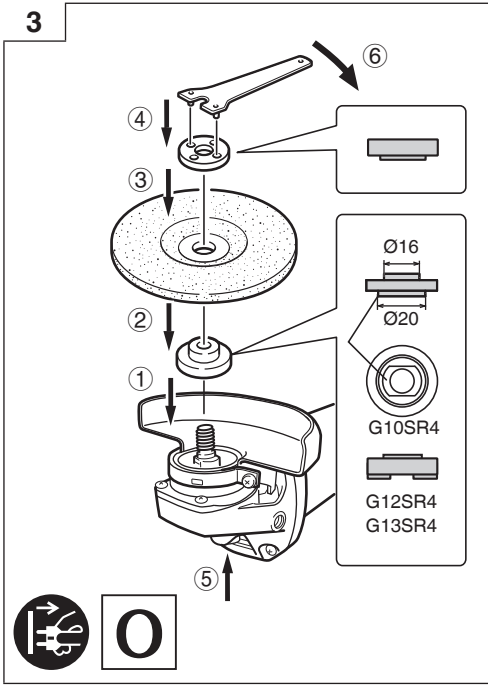
	G10SR4	G12SR4	G13SR4
V	(110V, 120V, 127V, 220V, 230V, 240V) ~		
P	730 W		
n	10 000 min <sup>-1</sup> (/min)		
	D	100 mm	115 mm 125 mm
	d	16 mm	22,23 mm
	t	4 mm	6 mm
	72 m/s	80 m/s	
	1,7 kg	1,8 kg	

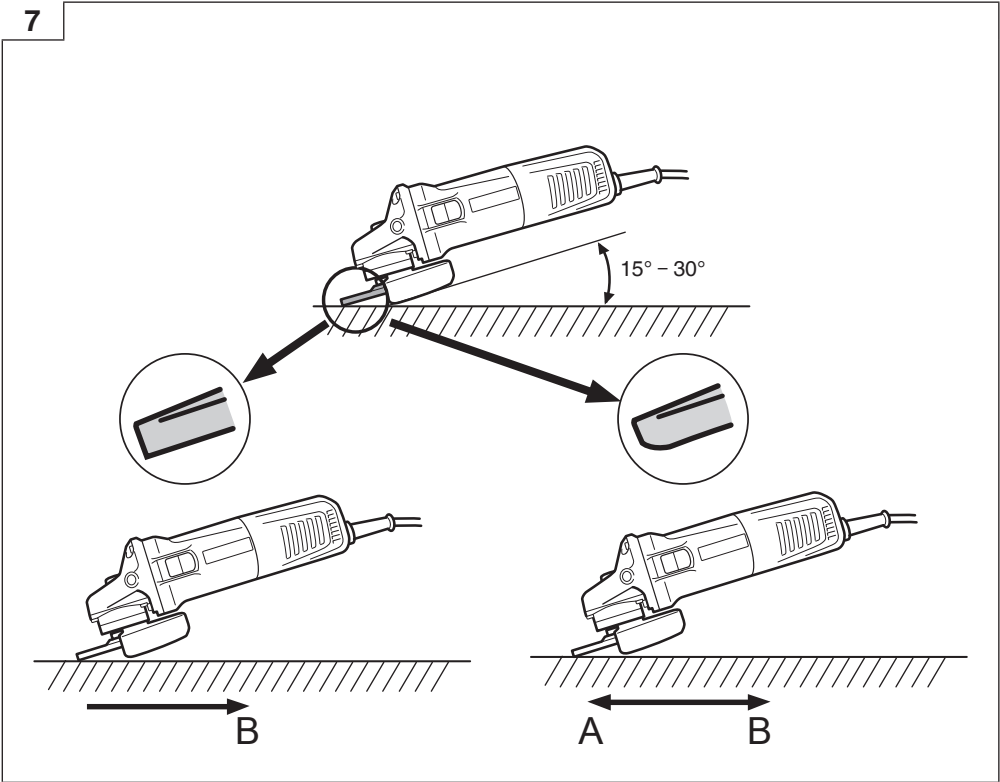
1

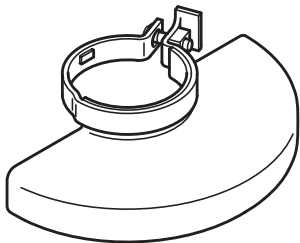


2









G10SR4 : 370066

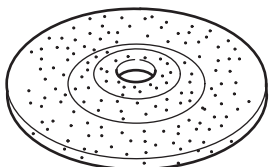
G12SR4 : 338848

G13SR4 : 338845



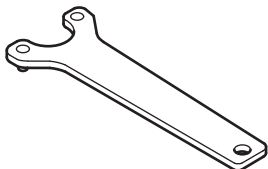
G10SR4 : 320497

G12SR4, G13SR4 : 937817Z



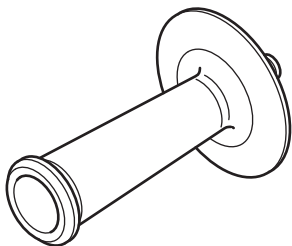
G10SR4 : 321795

G12SR4, G13SR4 : 994324

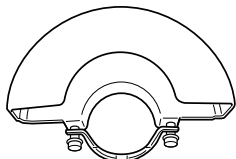


G10SR4 : 313933

G12SR4, G13SR4 : 938332Z

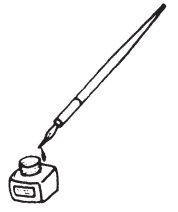


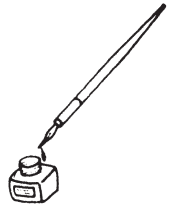
302142



G10SR4 : 302099

G12SR4 : 332785





Issued by

## **Koki Holdings Co., Ltd.**

Shinagawa Intercity Tower A, 15-1, Konan 2-chome,  
Minato-ku, Tokyo 108-6020, Japan

Distribuido por

## **Hikoki Power Tools de Mexico S.A. de C.V.**

Calle Isaac Newton No.286, 2do Piso, Col. Polanco V Sección,  
Del. Miguel Hidalgo, C. P. 11560  
Ciudad de México, México.